

Revision no: 01 Rev date: 31/01/2009	Technical specification Totally Enclosed Lifeboat Tanker version	
Doc No: LBT1090T-TS113-00	LBT 1090 T	Page 1 of 7

1. Technical Data

Dimension:

LOA	: 10.90 m
WOA	: 3.90 m
HOA	: 3.50 m

Boat data

Number of persons	: 130
Weight, empty boat	: 6925 kg
Weight, davit load	: 16675 kg
Hook distance	: 10.50 m*
Standard propulsion	: Propeller
Engine model	: BUKH DV48 RME
Speed	: 6 knots


* Standard hook distance, may be modified on request.

2. General Description

Totally Enclosed Lifeboat tanker version with inboard diesel engine.

3. Regulations

The LBT fully complies with the latest SOLAS requirements and LSA Code. The LBT will be certified by Bureau Veritas in accordance with the European Council Directive 96/98 EC on Marine Equipment (M.E.D).

Revision no: 01 Rev date: 31/01/2009	Technical specification Totally Enclosed Lifeboat Tanker version	
Doc No: LBT1090T-TS113-00	LBT 1090 T	Page 2 of 7

4. Lifting Arrangement

LBT is equipped with NOREQ-HOOK 8.8 T fore and aft. The hooks will be released simultaneously through the flexible cables controlled from the helmsman's position. Hooks can be released either, when the boat is waterborne or when there is no load on the hooks.

In emergency cases the hooks can be released during load by breaking a safety glass and remove the safety pin (as per SOLAS and LSA Code 4.4.7.6)

The hooks are made out of galvanized steel (standard), with stainless steel as an option.


5. Building material

The boat is made out of fire retardant glass fibre reinforced polyester material (GRP). Main parts are laminated in independent moulds. To assure buoyancy and strength, foam is injected into certain areas between the inner liner and the hull. To secure hull strength, the hull has longitude bulkheads and transverse bulkheads.

The boat is made with anti-skid on all walking surfaces, inside and outside.

A fender made out of synthetic rubber is surrounding the hull. The fender is connected to the hull with stainless steel screws.

External steel parts are of 316 L quality, inside 304 steel quality is used as standard.


Revision no: 01 Rev date: 31/01/2009	Technical specification Totally Enclosed Lifeboat Tanker version	
Doc No: LBT1090T-TS113-00	LBT 1090 T	Page 3 of 7

6. Engine, fuel and steering

Engine:

As standard the LBT 1090 T is delivered with BUKH DV29 RME, built according to the requirements of the 1996 amendments to the International Convention for SOLAS 1974 and LSA Code.

- Maker : BUKH
- Model : DV48 RME
- Type : Turbocharged, 4 stroke, 3 cylinders
- Power : 48 hp (35.3 kW)
- Fuel quality : BS 2869 Class A
- Fuel consumption : 9.9 L/H
- Fuel capacity : 250 ltr
- Starting method : Electric starting/ emergency manual starting
- Alternator : 14 V, 50 Amp, 700 W
- Starter : 12 V, 1.36 hp (1.0 kW)
- Spare parts : One set
- Transmission : Disengageable shaft coupling
- Instrument panel:
 - Electric start/stop
 - Power indicator
 - High cooling temperature alarm
 - Low oil pressure alarm
- Closed fresh water keel cooling system with anti-freeze liquid.
- The engine is supplied with two independent starting batteries.
- The engine is easily accessible through a removable inspection cover, made out of fire-retardant and heat-insulating material.
- The engine is installed with a silencer and exhaust pipe which is made out of stainless steel and is wrapped with heat-insulating material.
- The speed of the engine and the control of ahead and astern are all controlled through a cable by the helmsman from the helmsman's position.

Revision no: 01 Rev date: 31/01/2009	Technical specification Totally Enclosed Lifeboat Tanker version	
Doc No: LBT1090T-TS113-00	LBT 1090 T	Page 4 of 7

Fuel:

The fuel oil tank is made out of stainless or galvanized steel. The fuel tank capacity will be sufficient to run the fully loaded lifeboat at 6 knots for a period of not less than 24 hours. The tank is also fitted with an exhaust outlet led to the outside of boat.

Shaft and propeller:

The shaft is made out of stainless steel, the supports at the two ends and its couplings are made out of bronze.

- The propeller is of nickel aluminium bronze and is protected by a GRP duct.
- The propelling system and its active parts are all protected.

Steering system:

The steering is achieved by turning a duct rudder that surrounds the propeller. The duct is made out of GRP and also protects the propeller.

The steering rod and its supports are made out of stainless steel.


The duct rudder is operated through a flexible cable by a wheel from the helmsman's position.

In case of failure of the steering flexible cable, the rudder may be directly controlled by a emergency tiller, which is made out of stainless steel and are stowed close to the steering rod.

7. Electrical Equipment

The following electrical equipment is installed in the LBT:

- Two independent batteries of free maintenance type with capacity 90 AH. The batteries are stowed in a GRP container with an ventilation pipe led to the outside.
- Battery control switch

Revision no: 01 Rev date: 31/01/2009	Technical specification Totally Enclosed Lifeboat Tanker version	
Doc No: LBT1090T-TS113-00	LBT 1090 T	Page 5 of 7

- LADAC 42V type charger connected with the Ladix cable system to the external power supply. Contacts are of quick release type.
- Canopy light
- Handheld search light
- Position indicating light
- Compass
- Switch panel with integrated fuses

The electric equipment in the LBT is built to IP 56 standard.


8. Fire protection

A water spray system is installed for fire protection. The spray system consists of an engine driven pump which takes sea water from an intake location under the boat ensuring that no flammable liquid is drawn into the system. The spray system provides water over the entire surface of the boat (1300L/min).

9. Air system and ventilation

The compressed air system installed has a sufficient capacity to provide air for the maximum number of persons and engine combustion for a minimum of 10 minutes. It also establishes an overpressure inside the boat to prevent ingress of toxic fumes or gas. Provisions have been made to recharge the air cylinders from the ship's compressed air system.

An pressure relief valve is mounted on the aft bulkhead's port side. The valve prevents the cabin from becoming dangerously over-pressured when the emergency air system is in operation. Natural ventilation is achieved via an automatic valve located on the stern embarkation door. The valve also prevents the cabin from becoming dangerously under-pressured while the engine is running.

Revision no: 01 Rev date: 31/01/2009	Technical specification Totally Enclosed Lifeboat Tanker version	
Doc No: LBT1090T-TS113-00	LBT 1090 T	Page 6 of 7


10. Equipment

- Painter hook operated from inside lifeboat
- Skates (synthetic rubber type)
- Fender(synthetic rubber type)
- Buoyant lifeline around the gunwale
- Bilge pump
- Drain plug
- Ventilator (manually closing when capsizing)
- Fore hatch (600x600 mm)
- Aft door (1200x900 mm)
- Side embarkation hatch (1200x900 mm)
- Top hatch (600x600 mm)
- Water spray system
 - Water spray pump operated by engine V-belt
 - Stainless steel type sprinkler system
- Air supply system:
 - Compressed air cylinder 19.6 Mpa (200kgf/cm²) 45 L
 - High pressure hoses
 - High pressure stainless steel connections
 - High pressure valves
- SOLAS equipment according LSA code

11. Colour

External hull/canopy: Gel coat resin of international orange colour RAL 2009

Internal hull/canopy: Painted in light green colour RAL 7035

Revision no: 01 Rev date: 31/01/2009	Technical specification Totally Enclosed Lifeboat Tanker version	
Doc No: LBT1090T-TS113-00	LBT 1090 T	Page 7 of 7

12. Identification

- The identification plate is fitted next to the helmsman's position. Following content are described on the identification plate: Type of boat, inspection mark, serial number, main dimension, number of persons, fully loaded weight, date of completion, name of manufacturer.
- The ship's name, port of registry and number of persons are marked on port and starboard bow.
- Call sign and boat number are marked on top of enclosure.
- The retro-reflective tapes are fitted on top, on the sides and on the stern of enclosure.
- Symbols of life-saving appliances are provided in the vicinity of the helmsman's position and nearby each storage compartment.

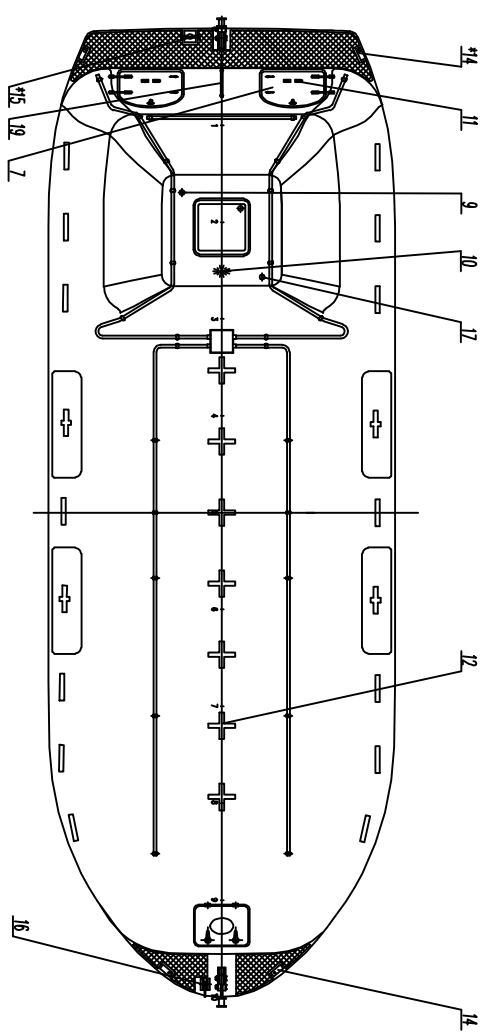
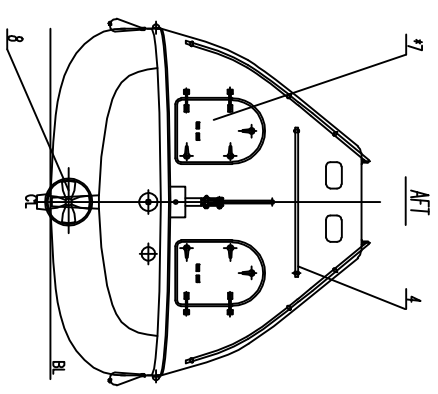
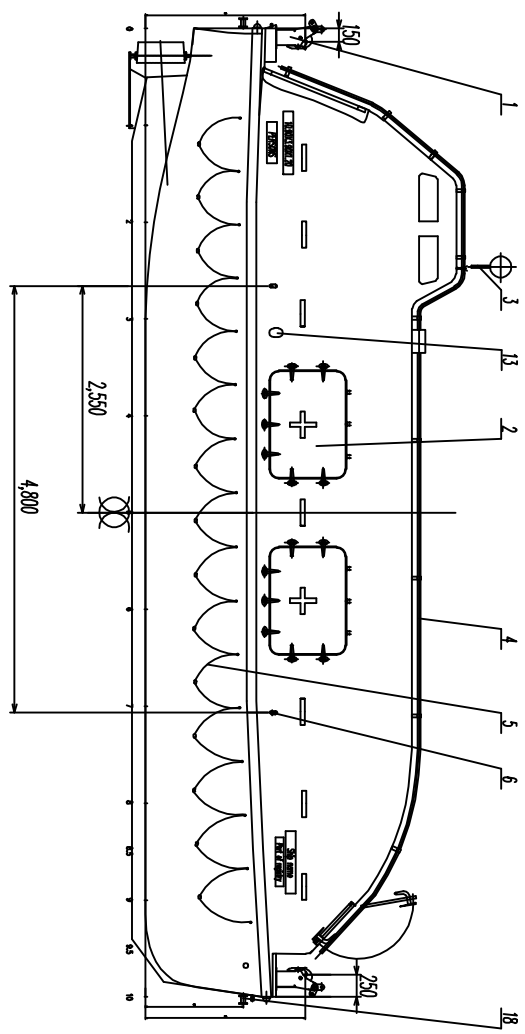
13. Documentation

Following final documents are submitted after delivery:

- Product specifications
- General arrangement drawings
- Instruction manuals
- Instructions for on-board maintenance of lifeboat

14. Guarantee

NOREQ AS' liability for defects is limited to defects which appear within a period of 12 months from the buyer's further delivery of the equipment to the buyer's customer as an integrated part of the ship, or within a maximum of 18 months from delivery to the buyer, whichever comes first.

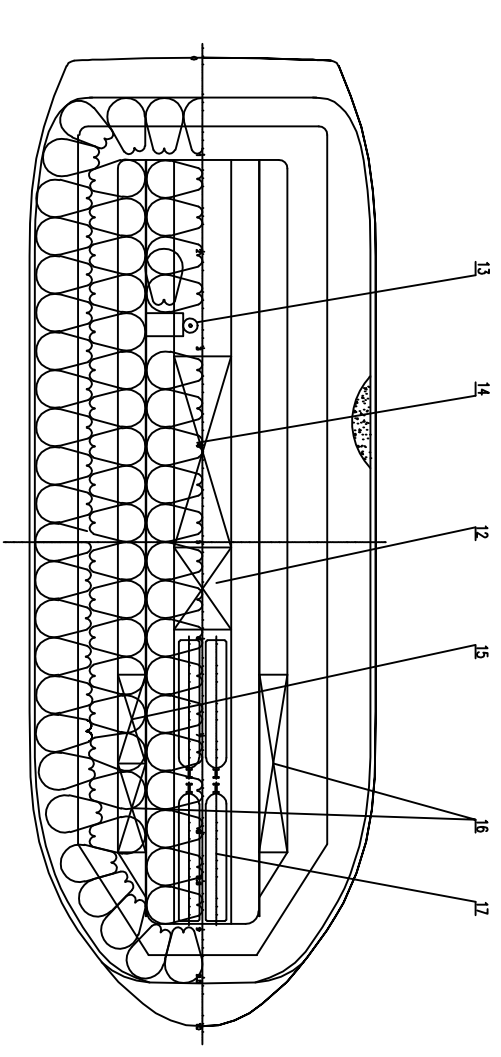
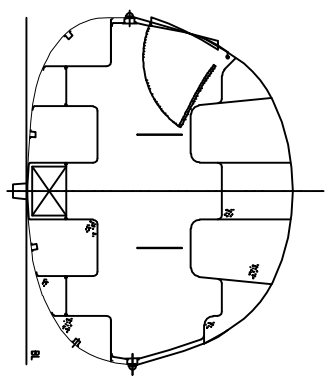
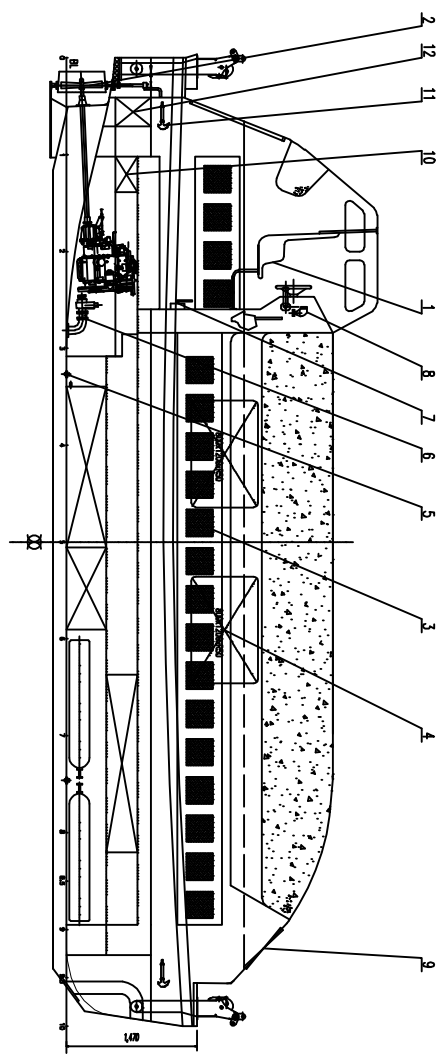


NOTE #17 IS ONLY PORT SIDE BOAT
STARBOARD IS SIMILAR TO
PORT SIDE BOAT

(Quantity / One boat)

19	Hand rail	Stainless steel			
18	Gate device	Galv steel	2		
17	Radar reflector stand	Stainless steel	1		
16	Painter hook	Stainless steel	1		
15	Bit	Stainless steel	1		
14	Coock	Stainless steel	3		
13	Oar hole	Aluminium alloy	2		
12	Reflect light strip	Product	1 set		
11	Ventilator	FRP	1		
10	Position light	Product	1		
9	Remote control rope hole	Assemble	1		
8	Prowler	Brass	1		
7	Aft hatch	FRP	2		
6	Skate plate	Stainless steel	4		
5	Life line	Stainless steel	1 set		
4	Spray ridge	Stainless steel	1 set		
3	Radar reflector	Product	1		
2	Stole door	FRP	4		
1	Hook device	Galv steel	2		

General Arrangement
 NAREQ-187 (188) T
 Drawing No. 187-01
 Scale 1/4" = 1'-0"
NOREQ
 DWG No. 1873-01-001



(Quantity / One boat)

17	Air supply system	Assembly	1		
16	Fresh water box	F.R.P.	2		
15	Food box	F.R.P.	1		
14	Fuel oil tank	A3	1		
13	Exhauster	Product	1		
12	Goods box	F.R.P.	2		
11	Hatchet	Product	2		
10	Battery case	F.R.P.	1		
9	Fore window	F.R.P.	1		
8	Search light	Product	1		
7	Manual pump	Plastic	1		
6	Water spray system	Assembly	1		
5	Drain valve	Stainless steel	2		
4	Folding door	F.R.P.	4		
3	Heard cushion	Plastic	130		
2	Engine, shaft and propeller	Assembly	4		
1	Pilot chair	F.R.P.	1		

General Arrangement
 NAREQ-07 (080) 1
 Drawing No. 08/007
 Drawing Date 08/007
 Drawing Scale 1/7
 Drawing No. 0723-01-001
NOREQ
 5th 2